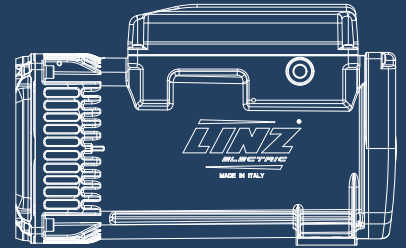


E1C10M H - 60Hz

Single-Phase brushless synchronous alternator with capacitor - 2 poles



COMMON DATA

Rated Power at 60Hz	kVA	7.25
Rated Power Factor		1
Nominal Temperature	°C	40
Control System		self-excited
Execution		brushless
Regulation Type		capacitor
Insulation Class		H
Protection		IP21
Maximum Over speed	rpm	4500
Overload		110% of rated power for one hour in a cycle of 6 hours
Air Flow Requirement	m ³ /min	4.5 at 60Hz
R.F.I. Suppression		Standard EN55011

REGULATION DATA

Capacitor		Capacitor
Capacitor	μF	30
Voltage Regulation		±5%
Sustained Short Circuit		> 250% of rated current

WINDING DATA

Stator Winding		Single layer with auxiliary winding
Rotor Winding		with damping cage
Number of Leads of Stator		4
Stator Winding Resistance	Ω	0.45 at 20°C
Rotor Winding Resistance	Ω	4.61 at 20°C
THD at full load		<6%
THD at no load		<5%



REFERENCES

EN60034-1 ISO8528-3 EN55011

UL 1446, Systems of Insulating Materials - General CSA-C22.2 No. 0, Appendix B, General Requirements - Canadian Electrical Code,

CAN/CSA - C22.2 No. 100-14 (R2009) Motors and Generators, UL1004-1 2nd ed. Rotating Electrical Machines - General Requirements, UL1004-4 2nd ed. Electric Generators

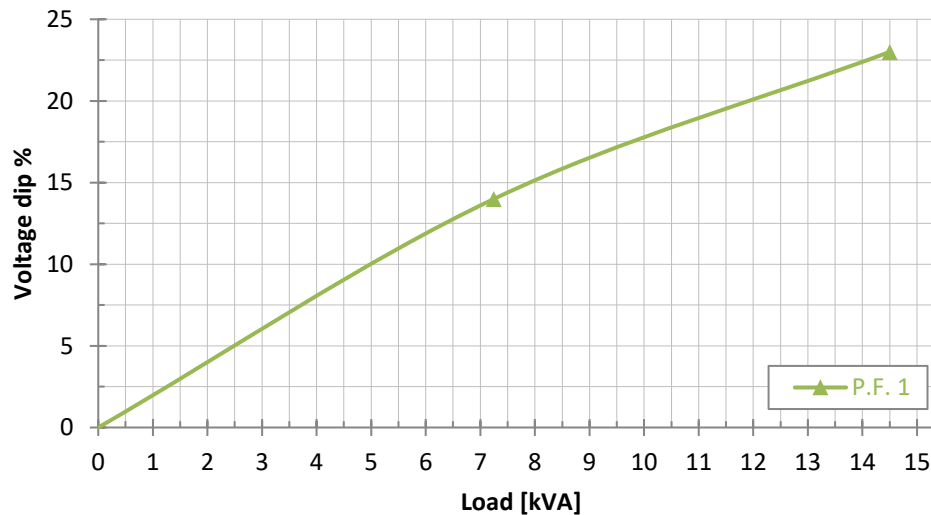
ELECTRICAL DATA @60Hz - 1 P.F.

Frequency		60Hz - 3600rpm
		1 Phase - Parallel/Series
Voltage	V	120/240
Rated Power in Class H (125°C/40°C)	kVA	7.25
	kW	7.25
Rated Power in Class F (105°C/40°C)	kVA	6.8
	kW	6.8
Rated Power Standby (150°C/40°C)	kVA	7.9
	kW	7.9
Rated Power in Class B (80°C/40°C)	kVA	6
	kW	6

EFFICIENCY IN CL. H OF RATED POWER @60Hz - 1 P.F.

4/4 (100%)	79.0%
3/4 (75%)	79.5%

TRANSIENT VOLTAGE VARIATION @60Hz

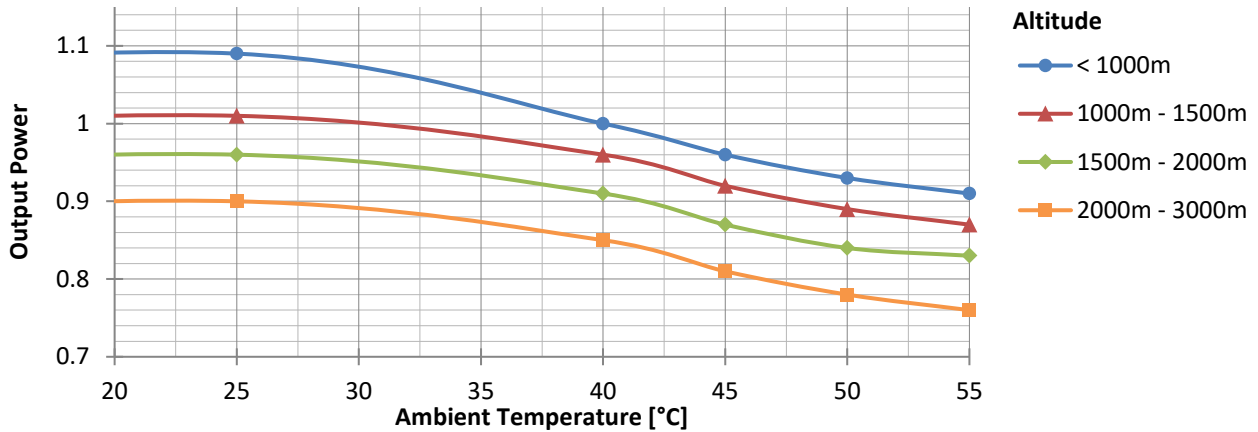
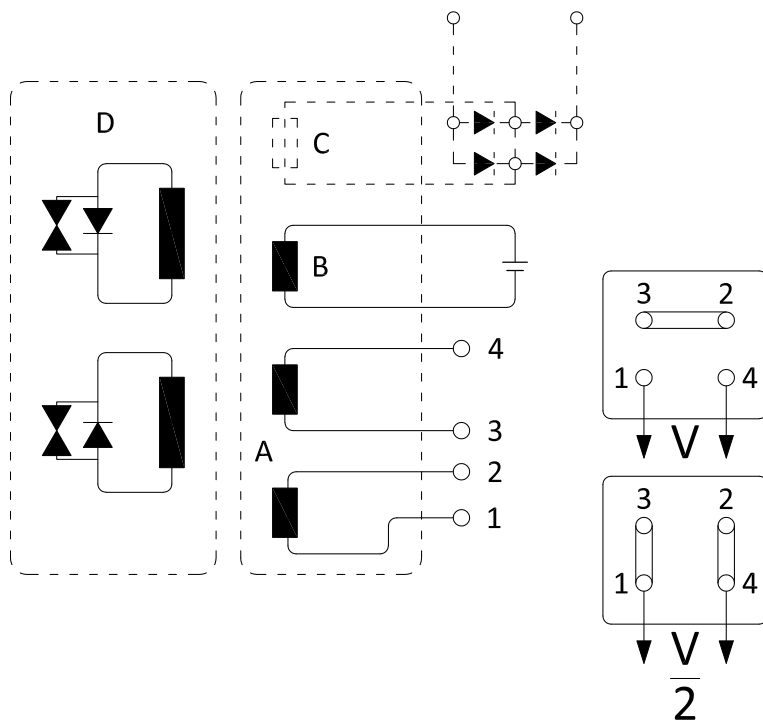


MECHANICAL DATA

Bearing non drive end	6204-2Z-C3		
Bearing drive end (B3/B14 form)	6305-2Z-C3		
Weight of generator	in B2	lbs/kg	/
	in B3/B14	lbs/kg	66.1/30
	in B3/B9	lbs/kg	64.6/29.3

MOMENT OF INERZIA

B3/B9	kg·m ²	0.016
B3/B14	kg·m ²	0.016

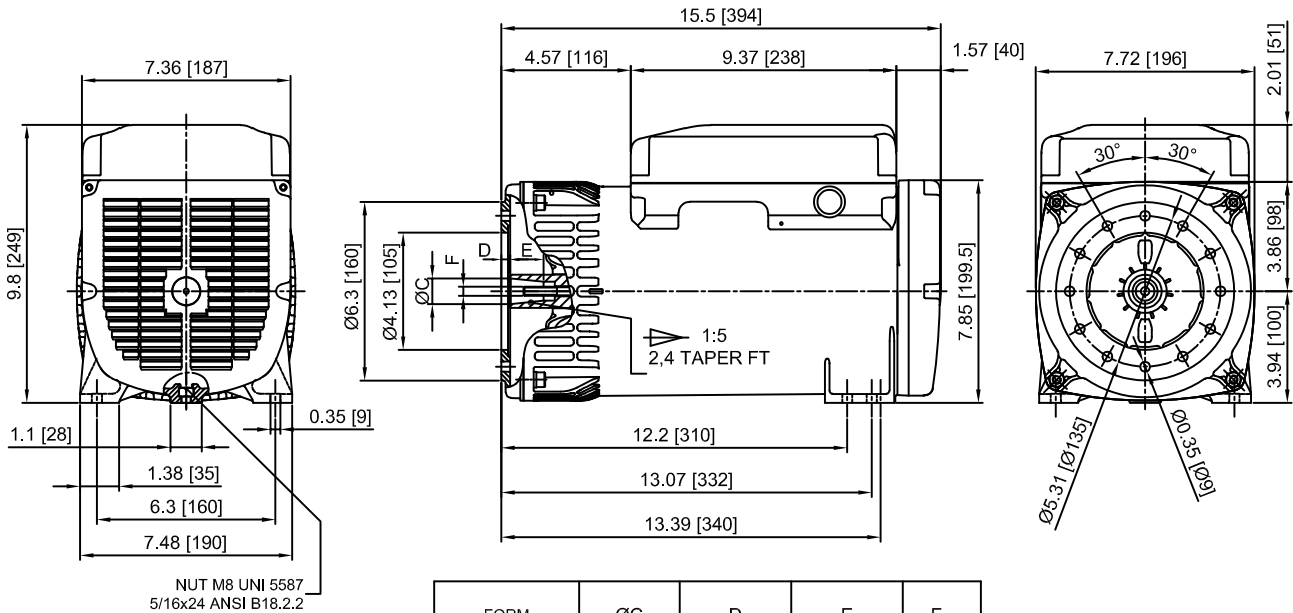
DERATING CURVES

WIRING DIAGRAM


- A Main Winding
- B Excitation Winding
- C Battery Charger Circuit
- D Polar wheel

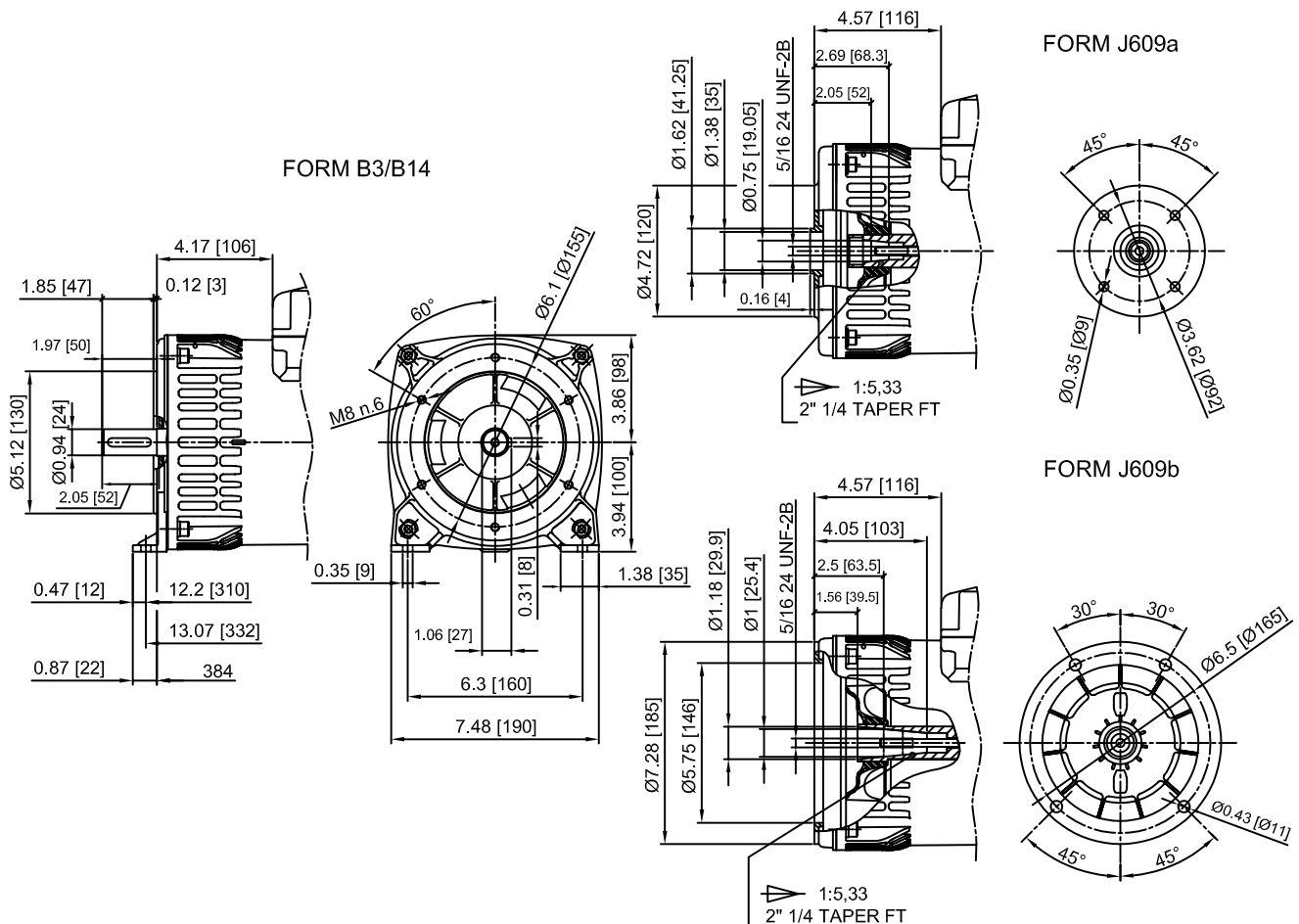
OVERALL DIMENSIONS

Dimensions in inches and [millimeters]

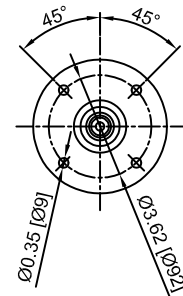
FORM B3/B9



FORM B3/B14



FORM J609a



FORM J609b

