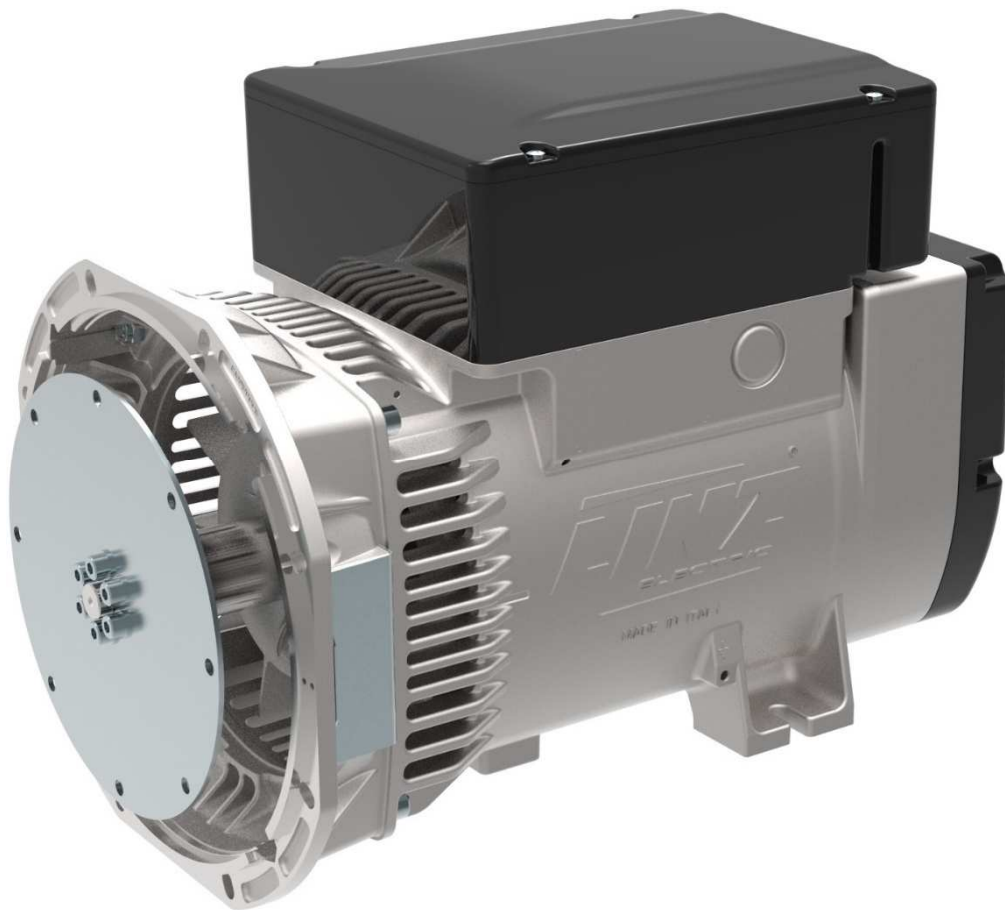


TECHNICAL DATA SHEET



ALTERNATOR E1X13S A/2 - 1PH

Dedicated Single-Phase brushless synchronous alternator with AVR - 2 poles

E1X13S A/2 - 1PH

COMMON DATA

Rated Power at 60Hz	kVA	7,5
Rated Power Factor		1
Nominal Temperature	°C	40
Control System		self-excited
Execution		brushless
Regulation Type		AVR
Insulation Class		H
Protection		IP21
Maximum Over speed	rpm	4500
Overload		110% of rated power for one hour in a cycle of 6 hours
Air Flow Requirement	m ³ /min	5,5 at 60Hz
R.F.I. Suppression		Standard EN55011

REGULATION DATA

AVR		HVR11
Sensing		single-phase
Voltage Regulation		±1%
Sustained Short Circuit		> 300% of rated current

WINDING DATA

Stator Winding		Single layer with auxiliary winding
Rotor Winding		with damping cage
Number of Leads of Stator		4
Stator Winding Resistance	Ω	0,57 at 20°C
Rotor Winding Resistance	Ω	8,7 at 20°C
Exciter Stator Resistance	Ω	16,5 at 20°C
Exciter Rotor Resistance	Ω	1,35 at 20°C
THD at full load		< 4%
THD at no load		< 4%
Excitation at no load	Adc	0,3
Excitation at full load	Adc	1,10

STANDARD

References	EN60034-1 ISO8528-3 EN55011
------------	-----------------------------

ON REQUEST

UL 1446, Systems of Insulating Materials - General CSA-C22.2 No. 0, Appendix B, General Requirements - Canadian Electrical Code, Part I
 CAN/CSA - C22.2 No. 100-14 (R2009) Motors and Generators, UL1004-1 2nd ed. Rotating Electrical Machines - General Requirements, UL1004-4 2nd ed. Electric Generators

E1X13S A/2 - 1PH

ELECTRICAL DATA

Frequency		60Hz - 3600rpm	
Voltage Series Star	V	120/240	
Rated Power in Class H (125°C/40°C)	kVA	7,5	
	kW	7,5	
Rated Power in Class F (105°C/40°C)	kVA	7,0	
	kW	7,0	
Rated Power Standby (150°C/40°C)	kVA	8,0	
	kW	8,0	
Rated Power (80°C/40°C)	kVA	6,5	
	kW	6,5	

EFFICIENCY IN CL. H @ 1PF

4/4	80,5%
3/4	82,3%
2/4	81,9%
1/4	77,6%

MECHANICAL DATA

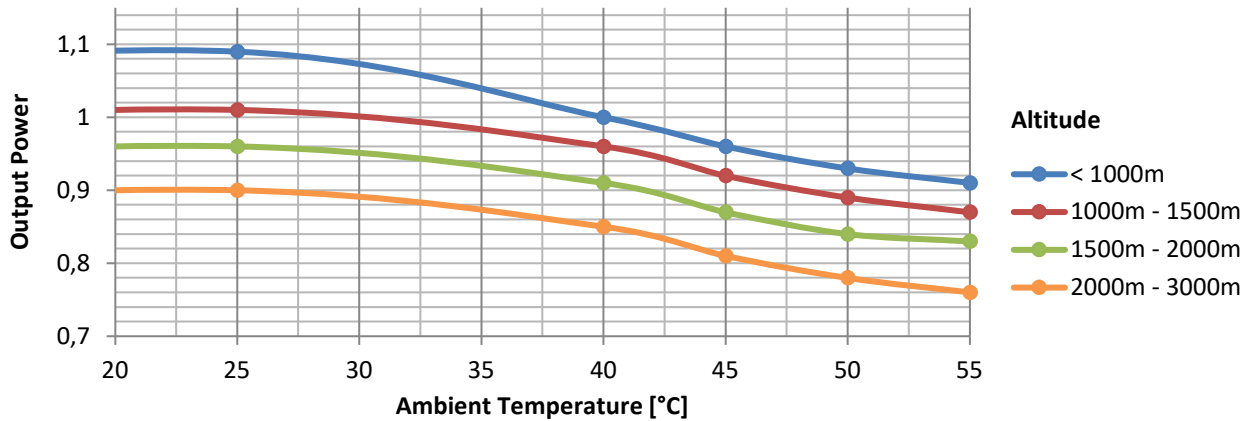
Bearing non drive end	6305-2Z-C3		
Bearing drive end (B3/B14 form)	6208-2Z-C3		
Weight of generator	in B2	kg	60,7
	in B3/B14	kg	56,6
	in B3/B9	kg	\

E1X13S A/2 - 1PH

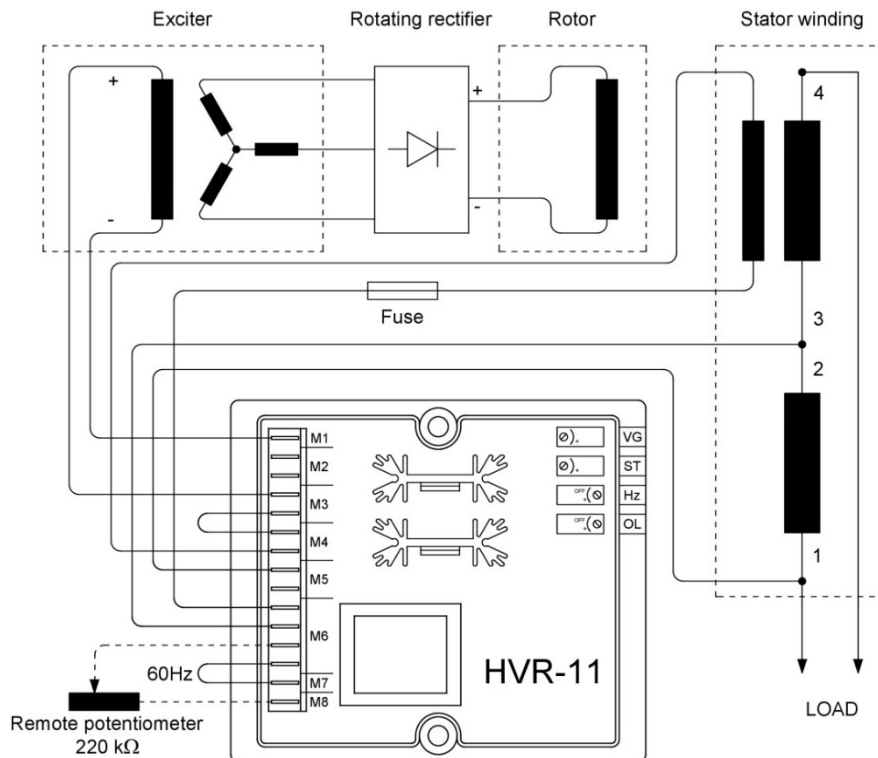
MOMENT OF INERTIA

SAE	kg·m ²	0,055
B3/B14	kg·m ²	0,057

DERATING CURVES



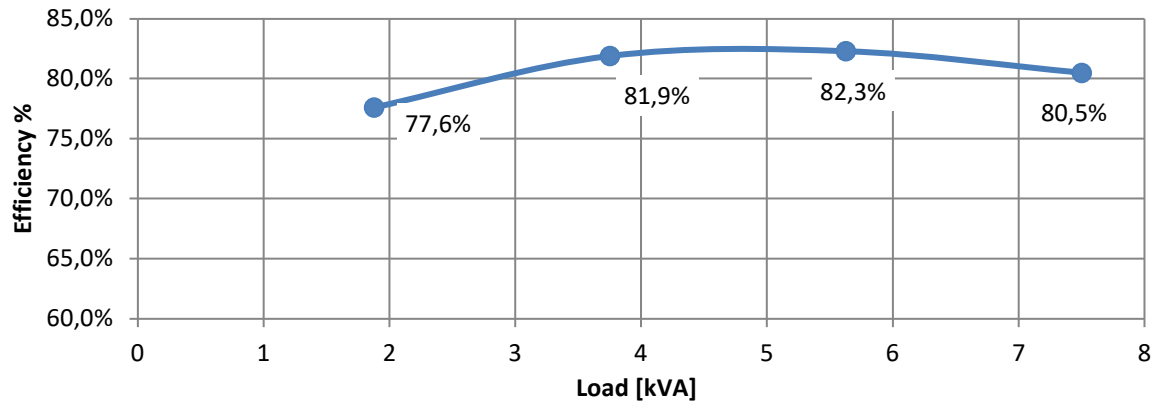
WIRING DIAGRAM



E1X13S A/2 - 1PH

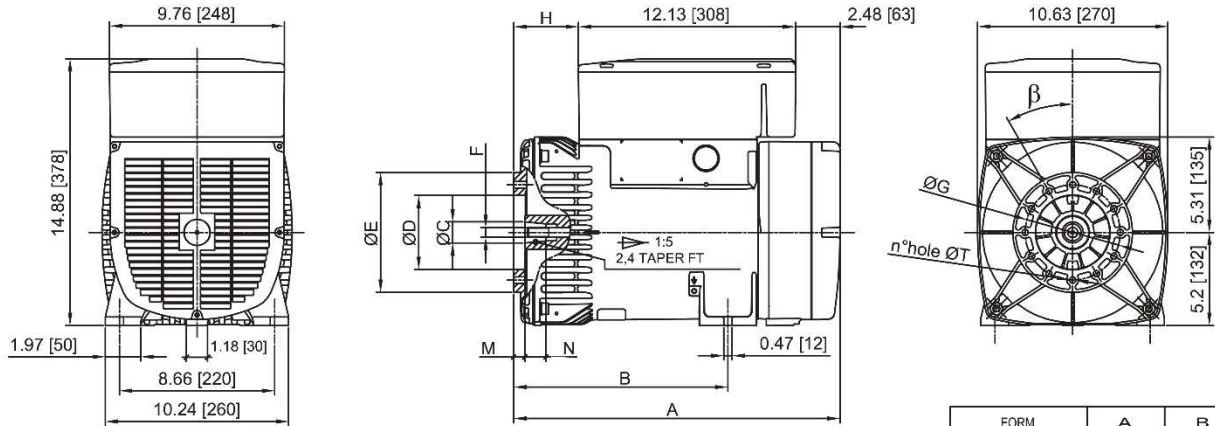
EFFICIENCY 60Hz @ 1PF

Efficiency Curves @ 60Hz



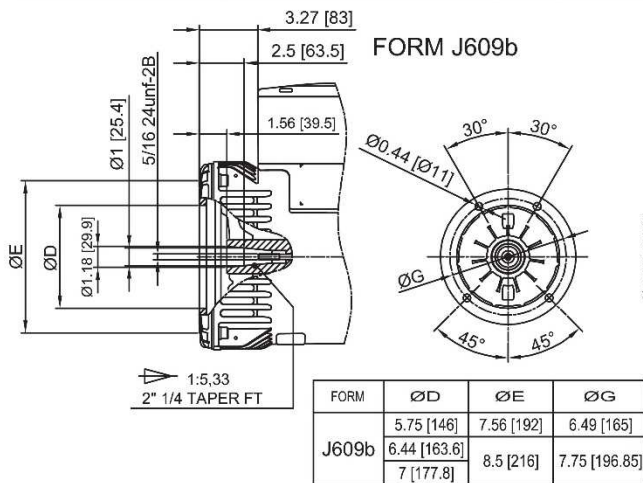
E1X13S A/2 - 1PH

Dimensions in inches and [millimeters] FORM B3/B9

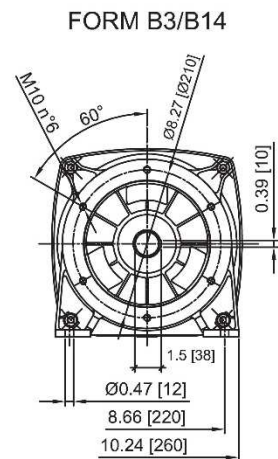
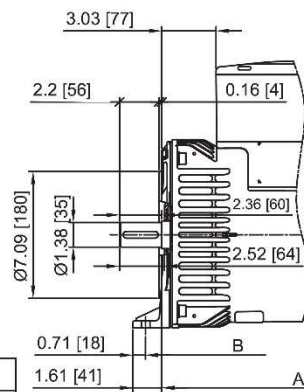


FORM	ØC	ØD	ØE	F	ØG	H	M	N	n°holes	ØT	β
cone Ø1.18 [30]	1.18 [30]	4.13 [105]	6.69 [170]	M14x1.5	5.32 [135]	3.62 [92]	0.63 [16]	1.18 [30]	12	0.35 [9]	30°
cone Ø1.49 [38]	1.49 [38]	4.92 [125]	7.28 [185]	M18x1.5	5.91 [150]	3.27 [83]	0.2 [5]	1.18 [30]	4	0.43 [11]	β/2 45°

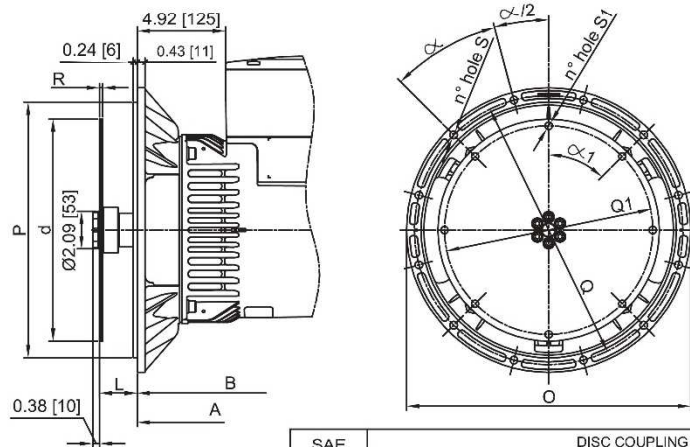
FORM	A	B
B3B9 c. Ø1.18 [30]	18.23 [463]	11.97 [304]
B3B9 c.Ø1.49[38]-J609b	17.87 [454]	11.61 [295]
B3/B14	17.64 [448]	12.28 [312]
MD35 - LOMB. STD	19.53 [496]	13.27 [337]



FORM	ØD	ØE	ØG
J609b	5.75 [146]	7.56 [192]	6.49 [165]
	6.44 [163.6]	8.5 [216]	7.75 [196.85]
	7 [177.8]		



FORM MD35



SAE N.	BRIDE				
	ØO	ØP	ØQ	n. holes	S
5	14.02 [356]	12.37 [314.3]	13.13 [333.4]	8	45°
4	15.87 [403]	14.26 [362]	15 [381]	12	30
3	17.76 [451]	16.13 [409.6]	16.87 [428.6]	12	30

SAE N.	DISC COUPLING						
	L	Ød	ØQ1	n. holes	S1	α1	R
6 1/2	1.19 [30.2]	8.5 [215.9]	7.87 [200]	6	0.35 [9]	60°	0.12 [3]
7 1/2	1.19 [30.2]	9.5 [241.3]	8.75 [222.25]	8	0.35 [9]	45°	
8	2.44 [62]	10.38 [263.52]	9.63 [244.47]	6	0.41 [10.5]	60	
10	2.12 [53.8]	12.38 [314.32]	11.63 [295.27]	8	0.41 [10.5]	45°	0.18 [4.5]
11 1/2	1.56 [39.6]	13.88 [352.42]	13.13 [333.37]	8	0.41 [10.5]	45°	